

MH32 ... MH42 ...

Service Dokumentation

7000830036 R01

Ersatzteile Seite 2 – 3

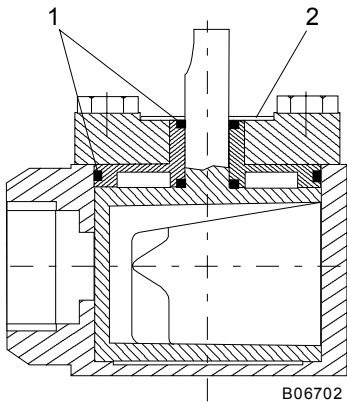
Spare parts page 2 – 3

X	Gültig
	Sistiert
	Ungültig

© Fr. Sauter AG
CH – 4016 Basel
Tel. 061 695 55 55
Fax 061 695 55 10

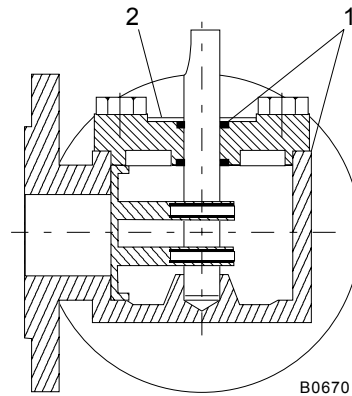
Sauter Components

Typ Type	F-Nr. F-no.	Produkt-Index Product index	Montagevorschrift Fitting instructions
MH32R 15 F...	200	A, B, C	Mischhahn und Antrieb Mixing cock and drive 505472
MH32R 20 F...	210		
MH32R 20 F...	200		
MH32R 25 F...	200		
MH32R 32 F...	200		
MH32R 40 F...	200		
MH32R 50 F...	200		
MH32F 20 F...	200	A, B, C	Wartung: Austauschteile Maintenance: replacement parts 505470
MH32F 25 F...	200		
MH32F 32 F...	200	A, B	
MH32F 40 F...	200		
MH32F 50 F...	200		
MH32F 65 F...	200		
MH32F 80 F...	200		
MH32F 100 F...	200		
MH32F 125 F...	200		
MH32F 150 F...	200		
MH42R 15 F...	200	A, B, C	Wartung: Austauschteile Maintenance: replacement parts 505470
MH42R 20 F...	210		
MH42R 20 F...	200		
MH42R 25 F...	200		
MH42R 32 F...	200		
MH42R 40 F...	200		
MH42F 32 F...	200	A, B	
MH42F 40 F...	200		
MH42F 50 F...	200		



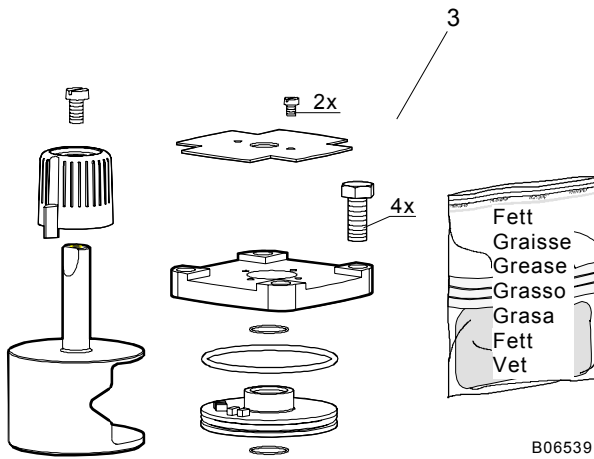
B06702

MH32R 15...40
MH42R 15...40
MH32F 20...25



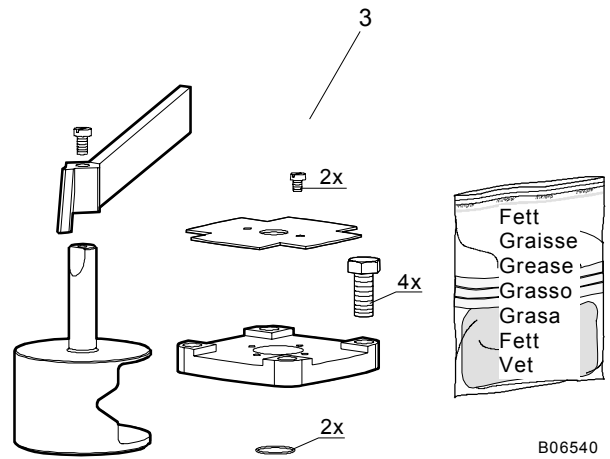
B06701

MH32R 50
MH32F 32...150
MH42F 32...50



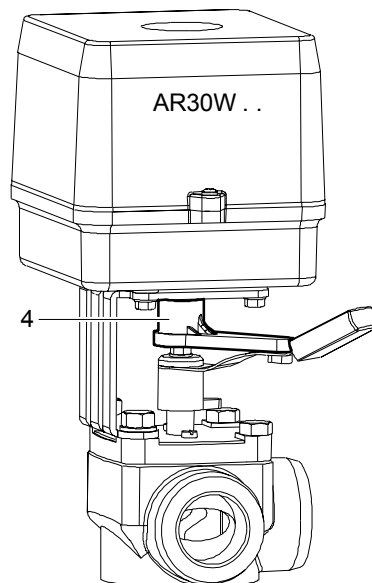
B06539

MH32R 20...40
MH32F 20...25
MH42R 20...40



B06540

MH32R 50
MH32F 32...80
MH42F 32...50



B08540

B08541

Typ:	MH32F . . .	MH42F . . .
Type:	MH32R . . .	MH42R . . .
Produkt-Index:	F . . . = A, B / A, B, C	F . . . = A, B / A, B, C
Product index:	R . . . = A, B / A, B, C / C	R . . . = A, B / A, B, C / C

Pos. Item	Bezeichnung Designation	Typ Pype	Produkt-Index Product index	Teile Nr. Part-no.
1	Dichtungssatz / Set of seals	MH32R 15 F200 MH32R 20 F210 MH42R 15 F200 MH42R 20 F210	A, B, C	361067
		MH32R 20...50 MH32F 20...65 MH42R 20...40 MH42F 32...50	A, B, C	361070
		MH32F 80...150	A, B	361071
2	Skala / Scala	MH32R 15 F200 MH32R 20 F210	A, B C	361072 361901 001
		MH42R 15 F200 MH42R 20 F210	A, B C	361074 361902 001
		MH32R 20...50 MH32F 20...150	A, B, C	360976
		MH42R 20...40 MH42F 32...50	A, B, C	360869
3	Austauschsatz kompl. / Re-conditioning set compl.	MH32R 15 F200 MH32R 20 F210 MH42R 15 F200 MH42R 20 F210	A, B, C	-
		MH32R 20...40 F200 MH32F 20, 25	A, B, C	361420
		MH32R 50 MH32F 32, 40	A, B, C	361421
		MH32F 50...65	A, B	361422
		MH32F 80	A, B	361423
		MH32F 100...150	A, B	-
		MH42R 20...40 F200 MH42F 32, 40	A, B, C A, B, C	361426 361424
		MH42F 50	A, B	361425
4	Antriebshebel / Lever		-	378021 001